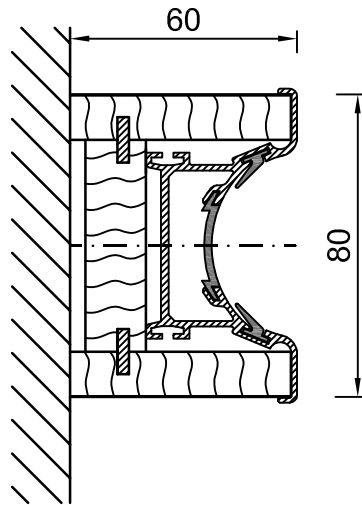


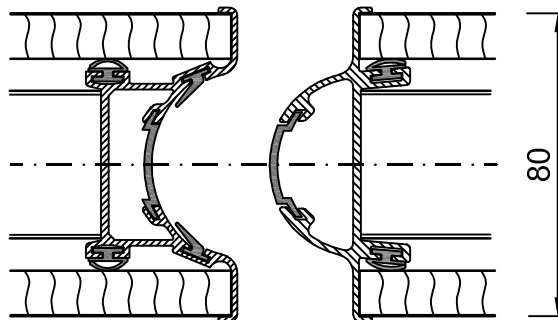
Wall Joint



SL = Wall Connection - NE

WAL = Wall Connection - TE

Panel Joint



- * Self supporting aluminium / steel frame
- * Aluminium profiles
- * Provided with magnetic seals
- * Self supporting external plates

	Wall and Panel Joints - Compact 80 U			
	Drawn	Date	Name	Order number :
	Checked	14-10-'10	AvdH	
	Scale : 1:2			Customer :
	Mutiwal BV Kleine Beer 20 Postbus 272 2950 AG Alblasserdam Tel.: +31(0)78 - 692 21 22 Fax.: +31(0)78 - 693 42 28 Home page : www.mutiwal.nl E-mail : info@mutiwal.nl			Project :
Drawing number :	Sheet :	Projection	A4	
1	1 of 15			