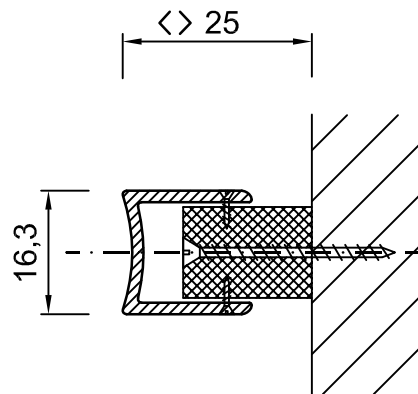
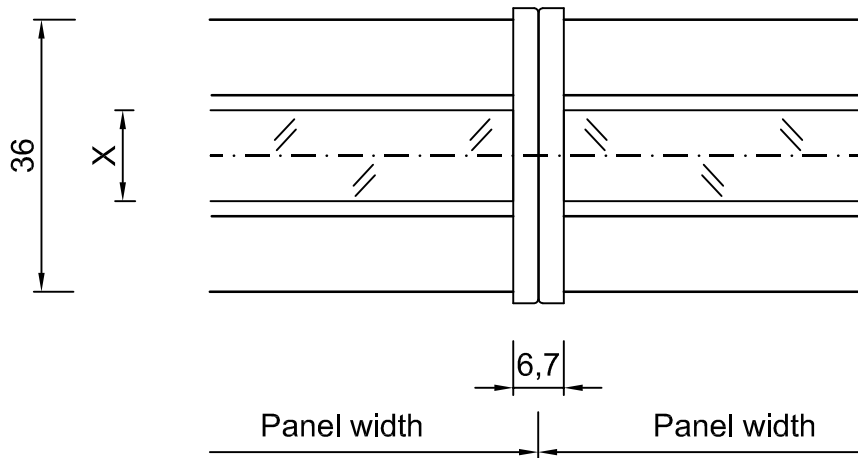


Wall joint



Panel joint



- * Aluminium profiles in RAL-Color
(or anodised)
- * ESG = toughened safety glass
- * VSG = laminated safety glass

	Wall joint and Panel joint - View glass wall			
		Date	Name	Order number :
	Drawn	15-10-'10	AvdH	
	Checked			Customer :
	Scale : 1:1			Project :
Multival BV Kleine Beer 20 Postbus 272 2950 AG Alblasserdam Tel.: +31(0)78 - 692 21 22 Fax.: +31(0)78 - 693 42 28 Home page : www.multival.nl E-mail : Info@multival.nl				Drawing number :
				1
				Sheet :
				1 of 8
				Projection
				A4