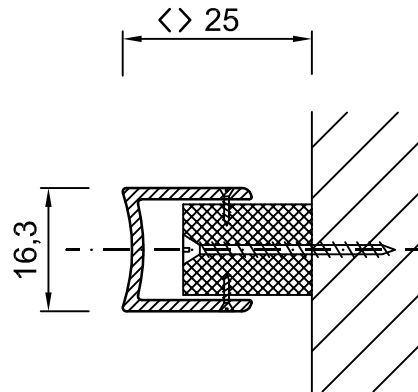
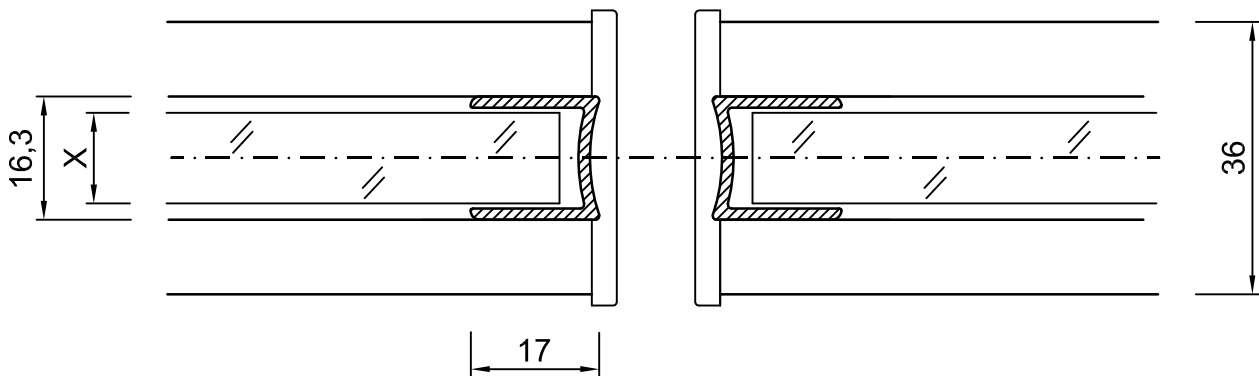


Wall joint



Panel joint



- * Aluminium profiles in RAL-Color
(or anodised)
- * ESG = toughened safety glass
- * VSG = laminated safety glass

| | | | | |
|--|-----------------------------------------------------------------------------------------------------------------------------------------------------------------------------------------------------|-------------------|----------------|------------------------------|
| | Wall joint and Panel joint - View-Alu glass wall | | | |
| | Drawn | Date 15-10-'10 | Name AvdH | Order number : |
| | Checked | | | Customer : |
| | Scale : 1:1 | | | Project : |
| | Multival BV Kleine Beer 20 Postbus 272 2950 AG Alblasserdam Tel.: +31(0)78 - 692 21 22 Fax.: +31(0)78 - 693 42 28 Home page : www.multival.nl E-mail : Info@multival.nl | | | Drawing number : 3 |
| | | Sheet : 3 of 8 | Projection | A4 |