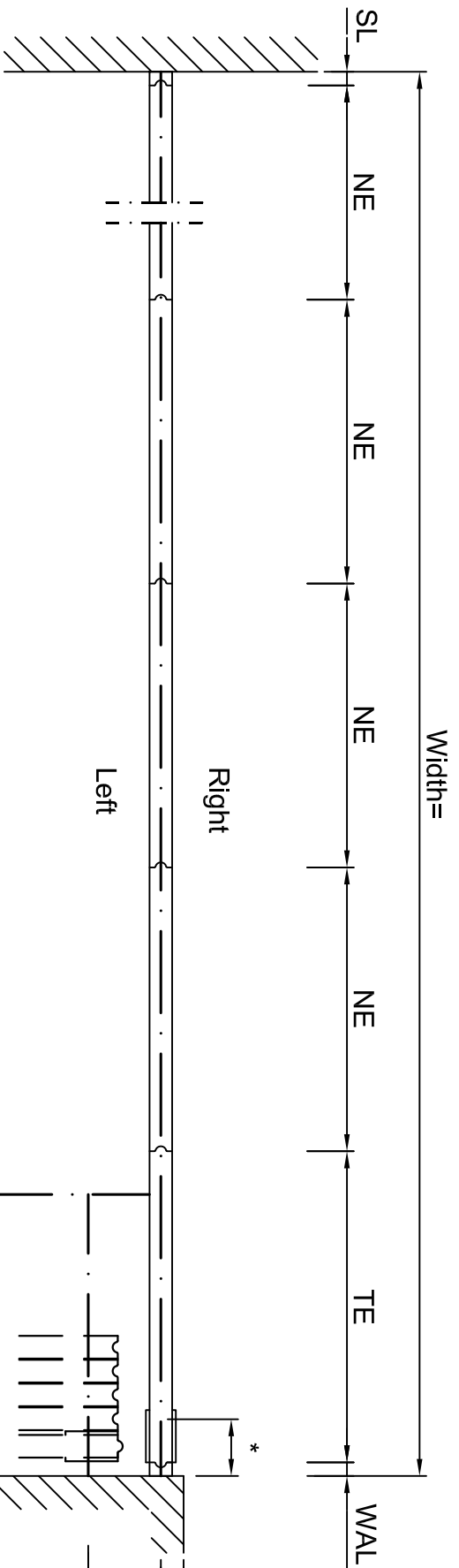
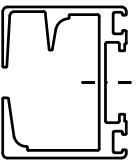


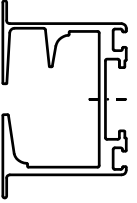
Parking Area 4



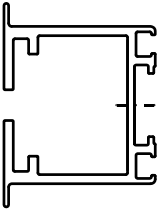
* TE = 250
 * TEF = 350



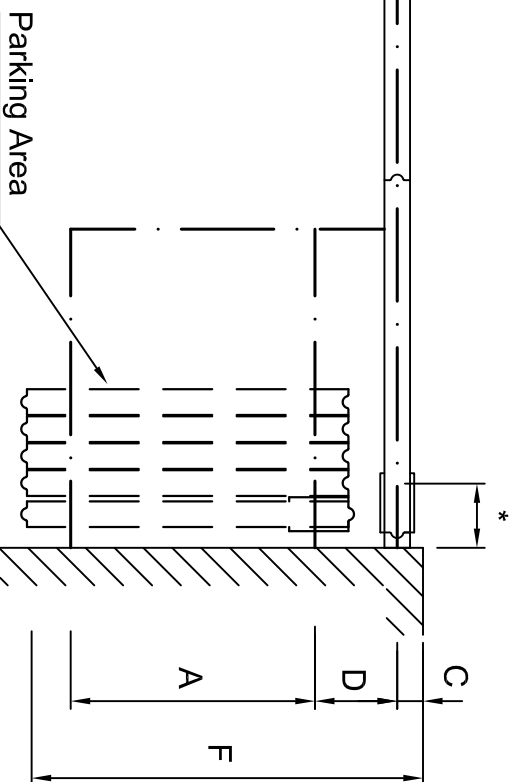
MR Track



MR-1 Track



MR-S Track



Parking Area 4

Drawn	Date	Name
Checked	01-09-'10	AVdH
Scale : n.o.s.		

Multival BV

Kleine Beer 20

Postbus 272

2950 AG Ablesseerdam

Tel.: +31(0)78 - 692 21 22

Fax.: +31(0)78 - 693 42 28

Home page : www.multival.nl

E-mail : info@multival.nl

Order number :

Customer :

Project :

Drawing number :

6

Sheet :

6 of 19

Projection



A4

