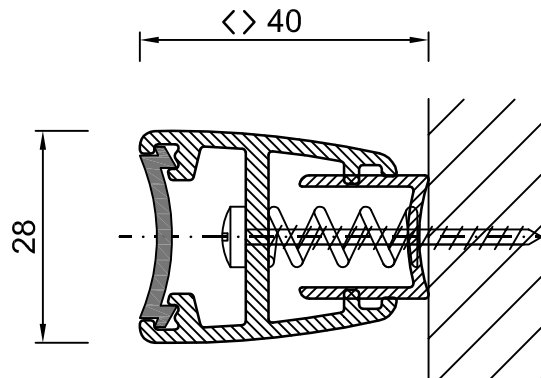
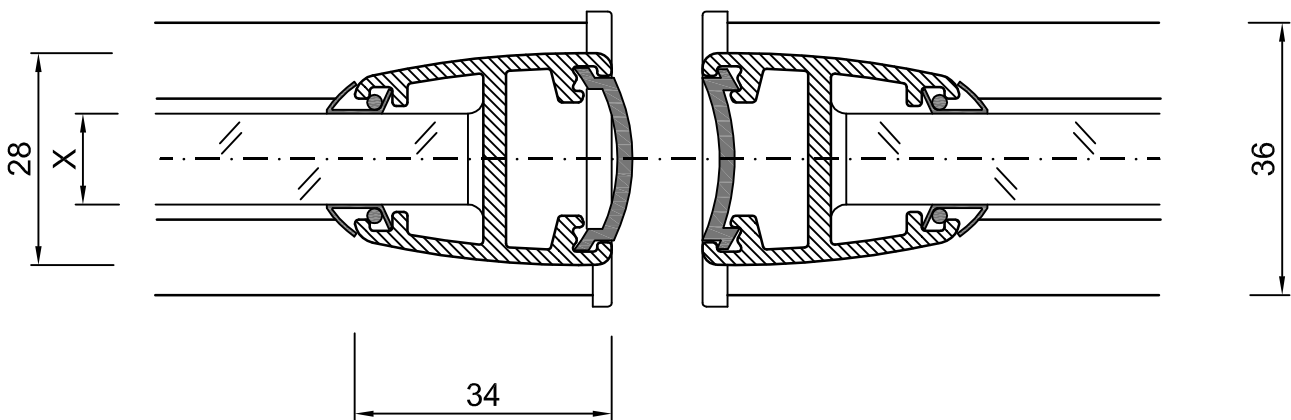


Wall joint



Panel joint



- * Aluminium profiles in RAL-Color (or anodised)
- * ESG = toughened safety glass
- * VSG = laminated safety glass
- * Provided with magnetic seals

	Wall joint and Panel joint - Sight glass wall						
		Date	Name	Order number :			
	Drawn	15-10-'10	AvdH				
	Checked			Customer :			
	Scale : 1:1			Project :			
Multiwal BV Kleine Beer 20 Postbus 272 2950 AG Alblasserdam Tel.: +31(0)78 - 692 21 22 Fax.: +31(0)78 - 693 42 28 Home page : www.multiwal.nl E-mail : Info@multiwal.nl				Drawing number : <div style="text-align: center; font-size: 24px; font-weight: bold;">7</div>	Sheet : <div style="text-align: center; font-size: 24px; font-weight: bold;">7 of 8</div>	Projection 	A4