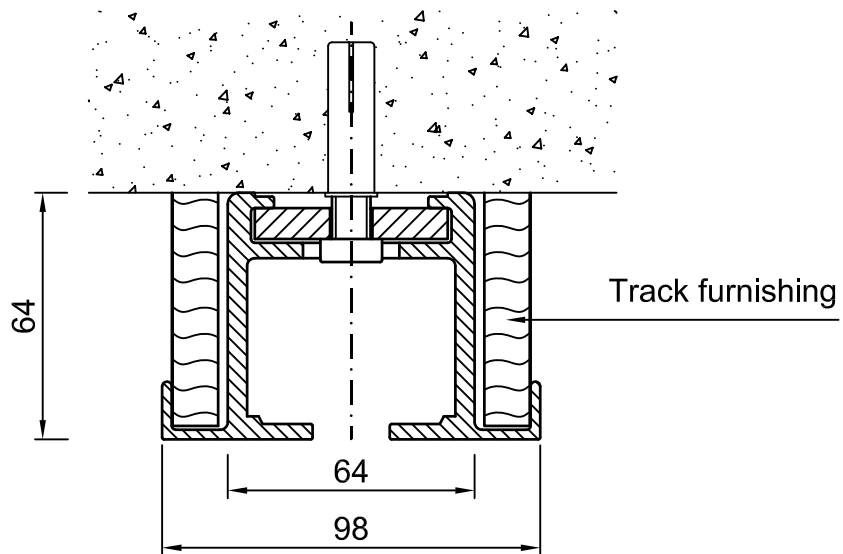
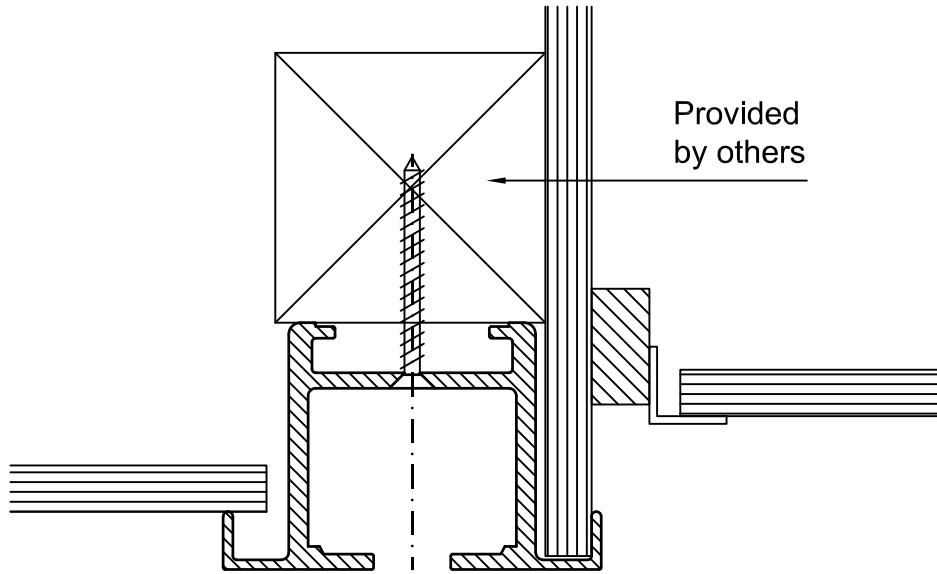

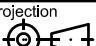


Installation into wood/steel or concrete depending on constructional situation



	1- Point suspension MA-Track (Standard RAL 9010)			
	Date	Name	Order number :	
	Drawn	14-10-10	AvdH	Customer :
	Checked			
	Scale : 1:2			Project :
Multival BV Kleine Beer 20 Postbus 272 2950 AG Alblasserdam Tel.: +31(0)78 - 692 21 22 Fax.: +31(0)78 - 693 42 28 Home page : www.multival.nl E-mail : info@multival.nl			Drawing number : <div style="text-align: center; font-size: 1.2em;">13</div>	
		Sheet : <div style="text-align: center; font-size: 1.2em;">13 of 19</div>	Projection 	A4