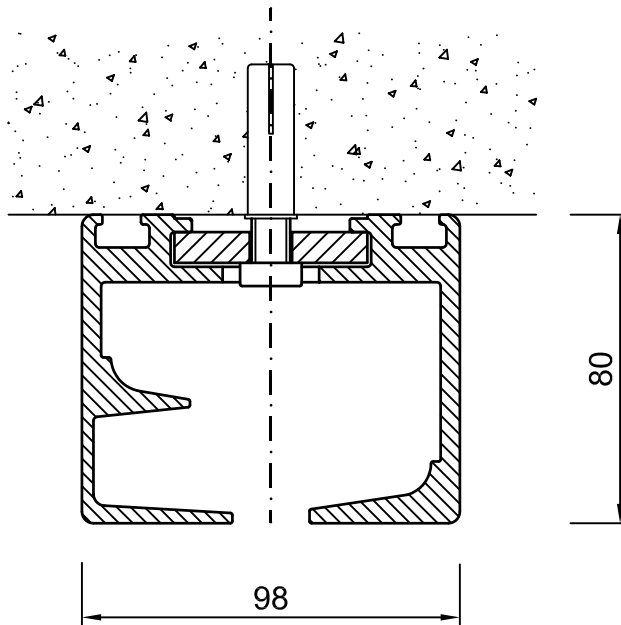
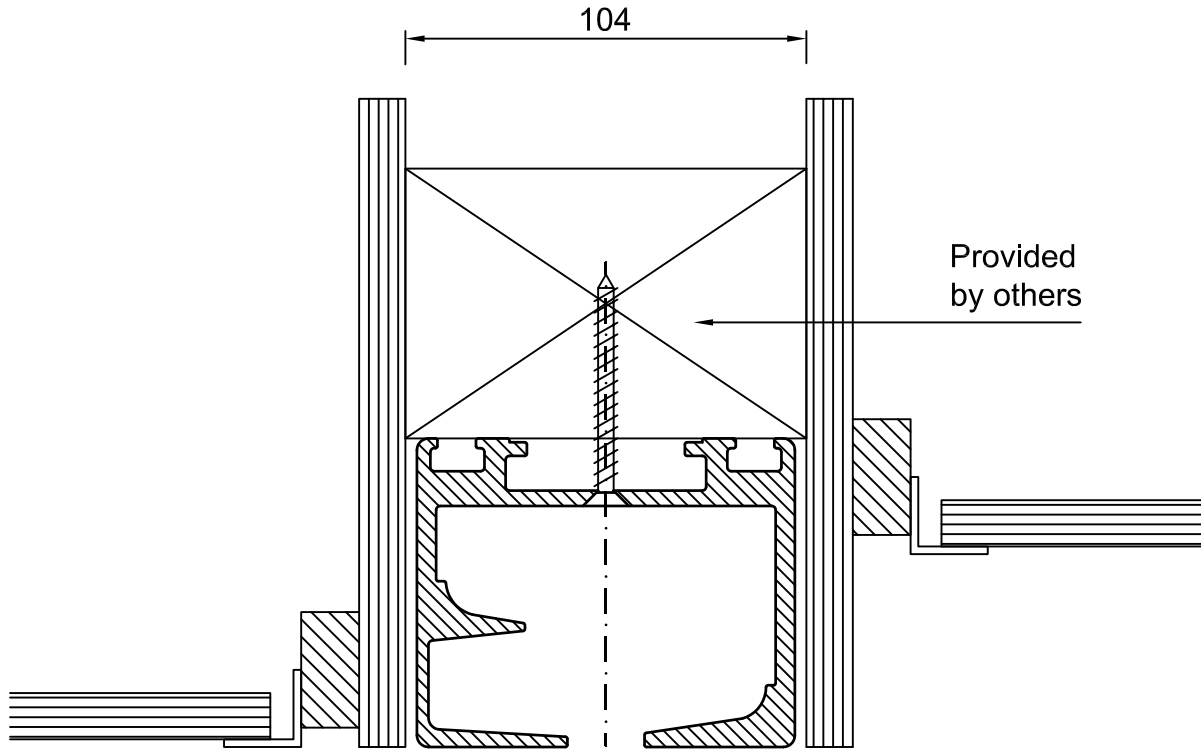


Installation into wood/steel or concrete depending on constructional situation



	2- Point suspension MR-Track (Standard RAL 9010)			
	Date	Name	Order number :	
	Drawn	14-10-10	AvdH	Customer :
	Checked			
	Scale : 1:2			Project :
Multiwal BV Kleine Beer 20 Postbus 272 2950 AG Alblasserdam Tel.: +31(0)78 - 692 21 22 Fax.: +31(0)78 - 693 42 28 Home page : www.multiwal.nl E-mail : info@multiwal.nl				
Drawing number :	Sheet :	Projection	A4	
14	14 of 19			