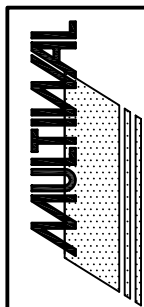
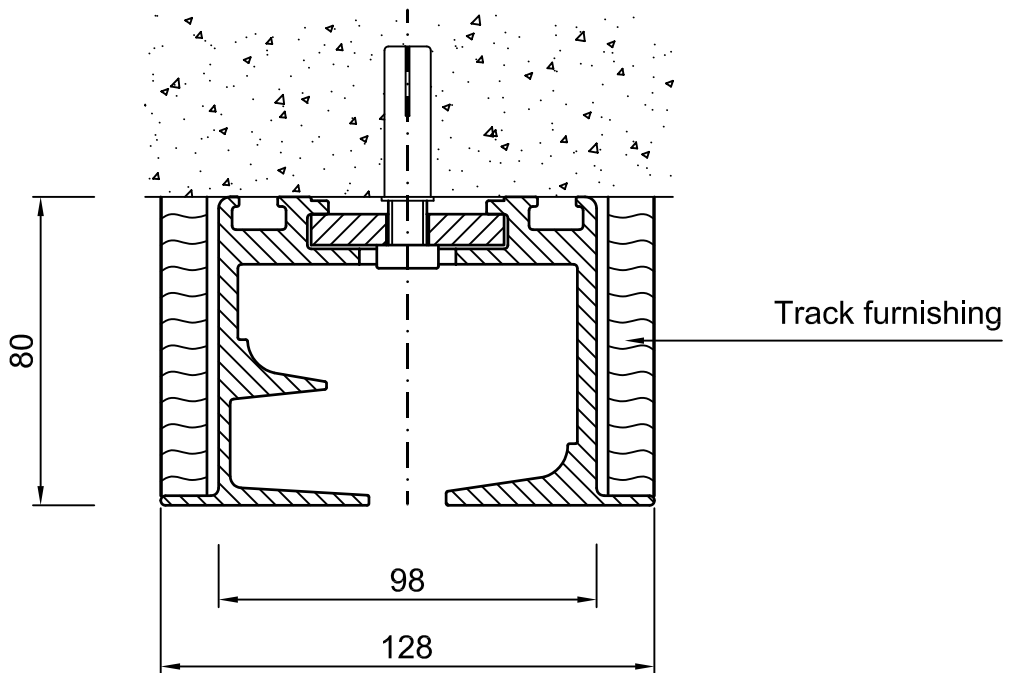
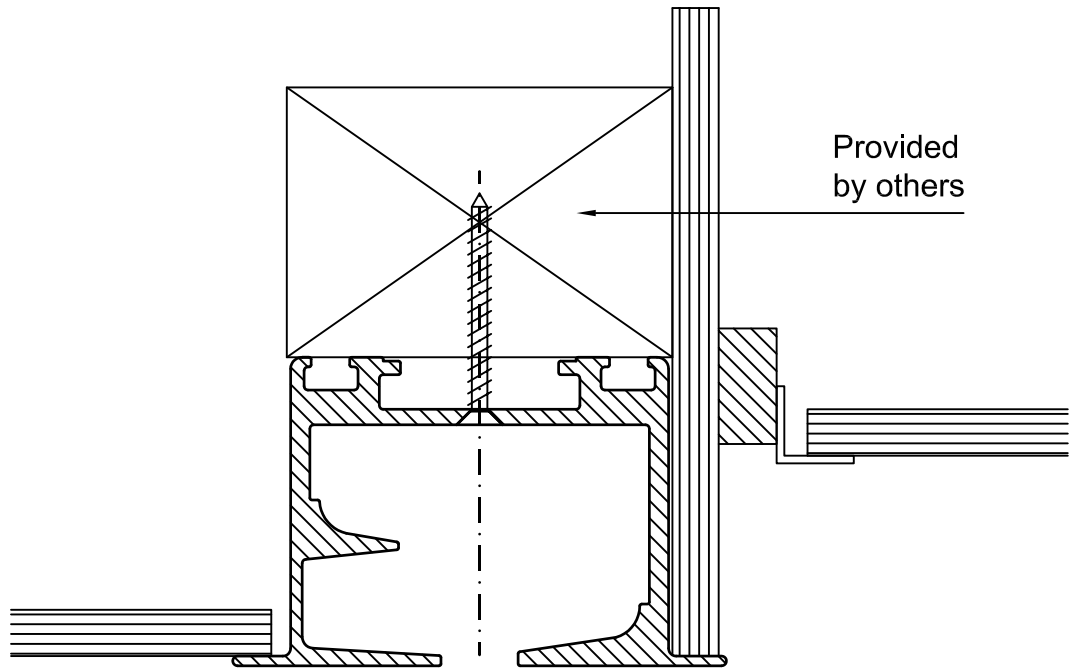


Installation into wood/steel or concrete depending on constructional situation



2-Point suspension MR-1 Track (Standard RAL 9010)

	Date	Name
Drawn	14-10-10	AvdH
Checked		
Scale: 1:2		

Multival BV
 Kleine Beer 20
 Postbus 272
 2950 AG Alblasserdam
 Tel.: +31(0)78 - 692 21 22
 Fax.: +31(0)78 - 693 42 28
 Home page : www.multival.nl
 E-mail : info@multival.nl

Order number :		
Customer :		
Project :		
Drawing number :	Sheet :	Projection
15	15 of 19	A4