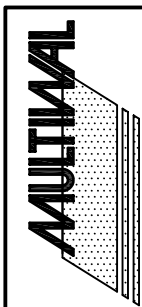
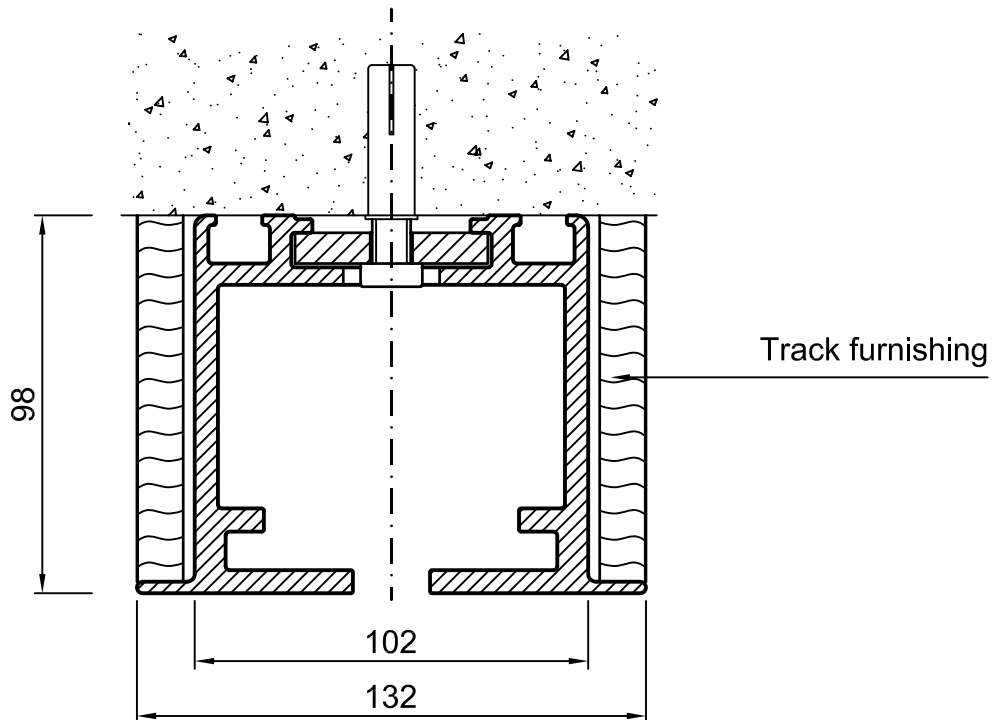
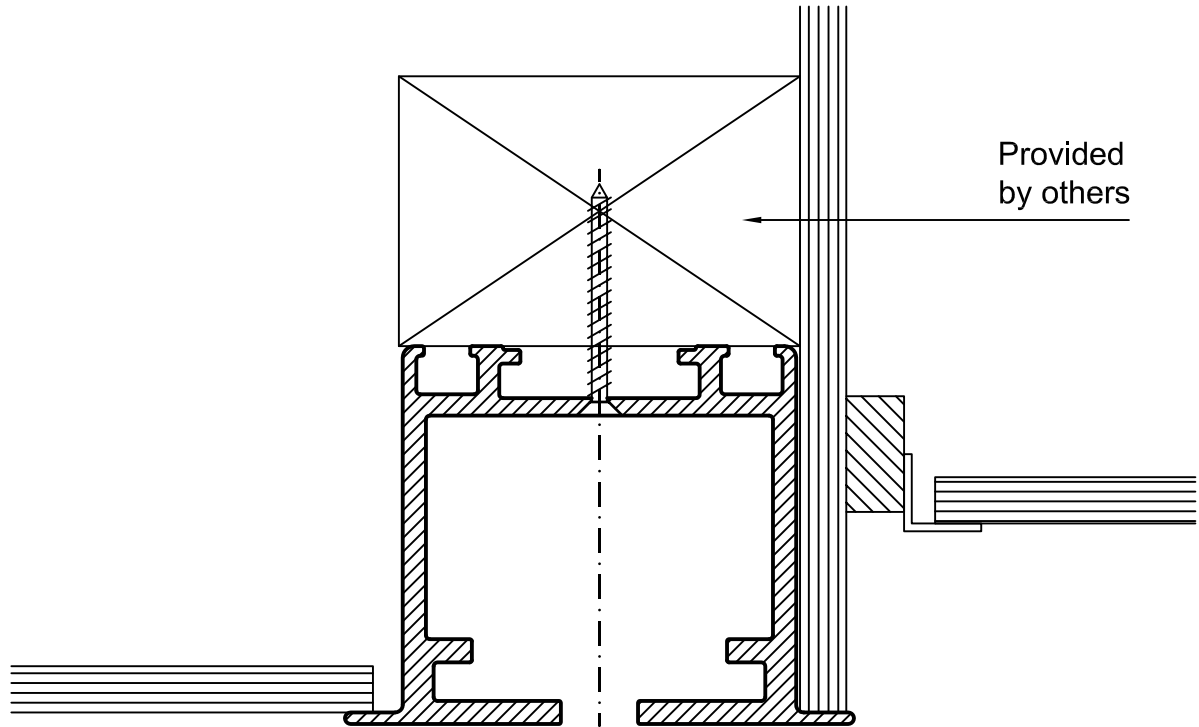


Installation into wood/steel or concrete depending on constructional situation



1- or 2-Point suspension MR-S Track (Standard RAL 9010)

	Date	Name
Drawn	14-10-10	AvdH
Checked		
Scale: 1:2		

Multiwal BV

Kleine Beer 20
 Postbus 272
 2950 AG Alblasterdam
 Tel.: +31(0)78 - 692 21 22
 Fax.: +31(0)78 - 693 42 28
 Home page : www.multiwal.nl
 E-mail : info@multiwal.nl

Order number :

Customer :

Project :

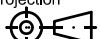
Drawing number :

16

Sheet :

16 of 19

Projection



A4